

Install confidence



MI-542647

Mounting instruction

Non-Driven axle



Outboard – Part index

- A Outer seal
- B Outboard mounting tool (Do not remove until the bearing is fitted)
- C Outboard bearing
- D Security ring

Inboard – Part index

- E Internal seal
- F Inboard mounting tool (do not remove until the bearing is fitted)
- G O-ring
- H Inboard bearing



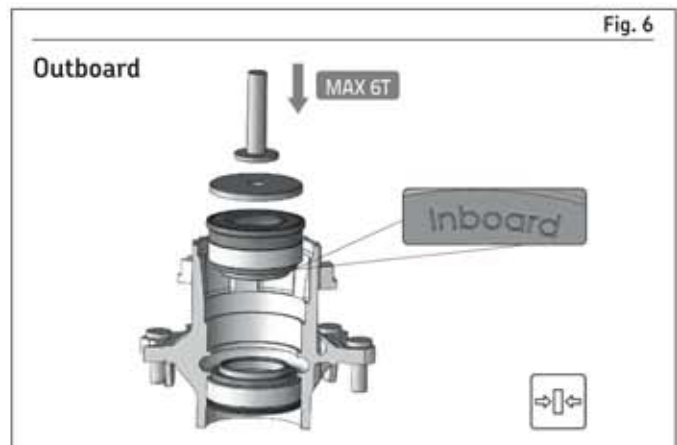
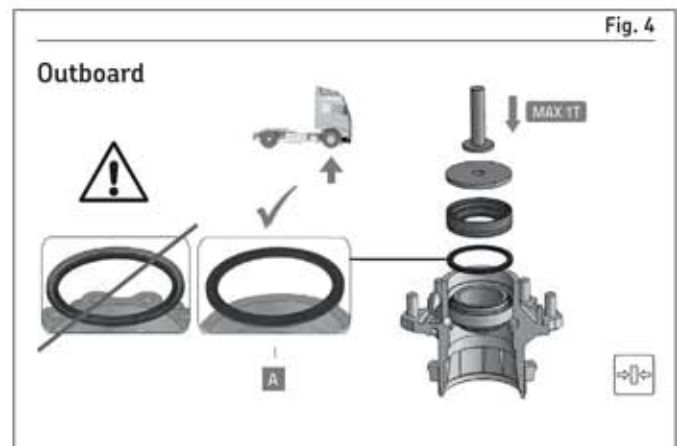
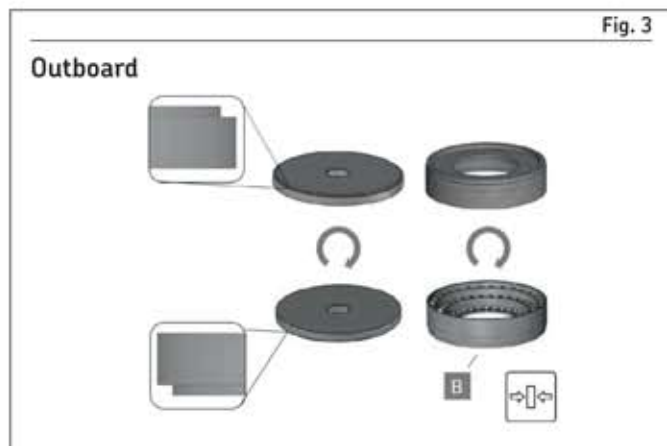
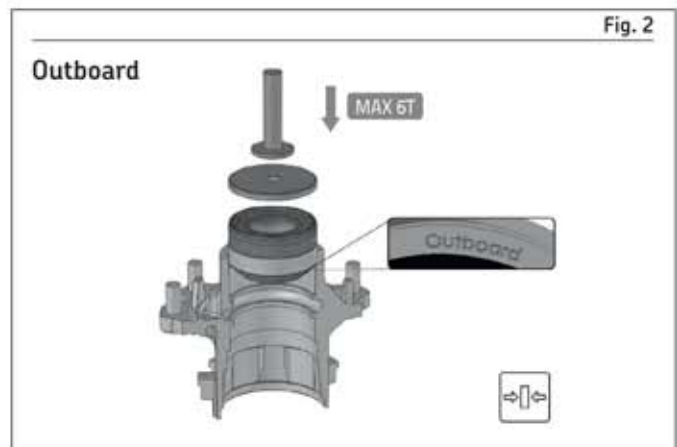
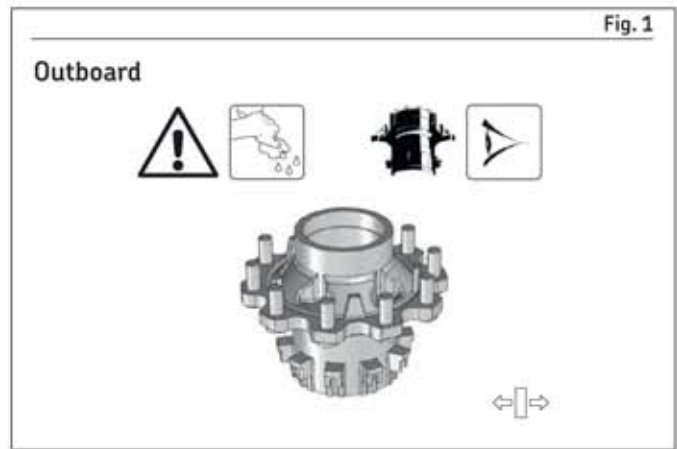
Legend

- Mounting
- Dismounting
- Adjust and clean
- Inspection
- Warning

- 1 Dismantle the bearing to be replaced, being careful not to damage the hub. Clean the surfaces and verify that the hub is not damaged. Use a plate of equal diameter or max 10 mm less diameter of the bearing to assure a correct disassembly without damaging the hub.

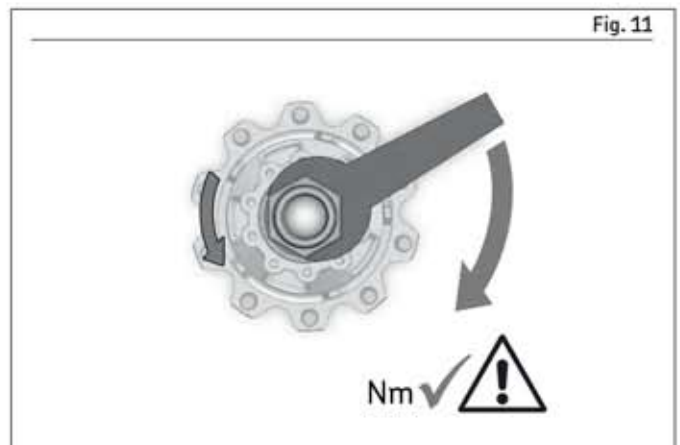
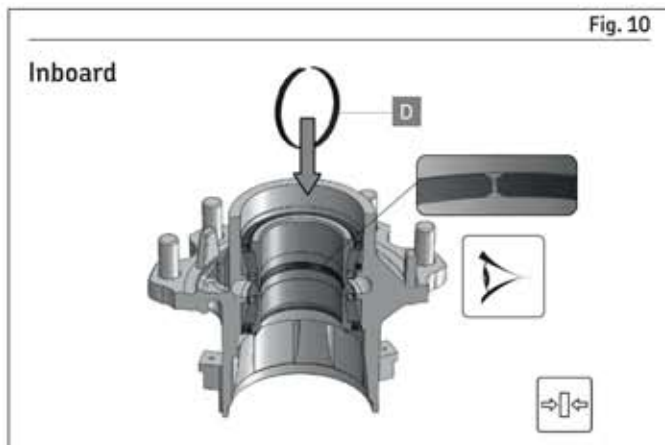
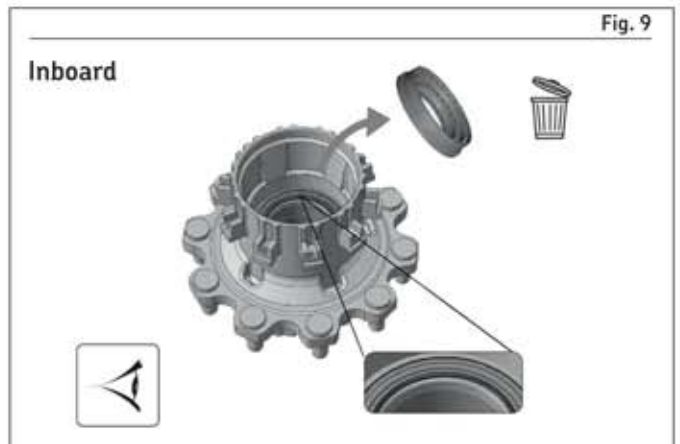
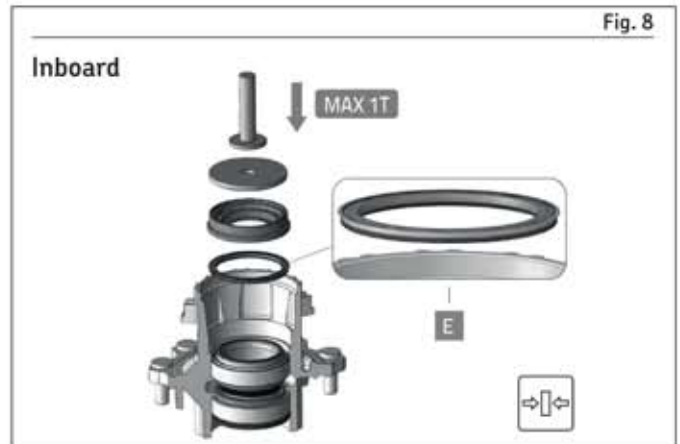
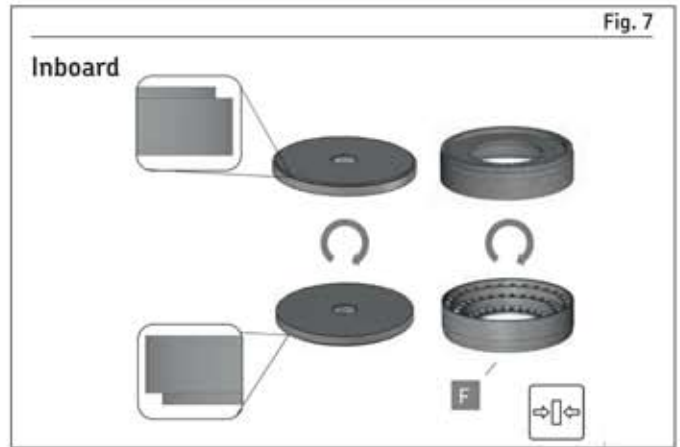
Outer side assembly – “Outboard”

- 2 Start the assembly fitting the bearing with the inscription “Outboard” (C). Place an intermediate plate* on the plastic assembly tool (B) and Apply a force of up to Max 6T with a press on that plate.
- 3 Remove the plastic assembly tool (B) with both hands and turn it around. Be careful not to contaminate the grease.
- 4 Place the seal (A) according to the application following the diagram. Note seal orientation. Fit the seal using the plastic assembly tool (B) and the intermediate plate both in an inverse position. Apply a force of up to Max 1T with a press on the plate.
- 5 Remove the plastic assembly tool (B) and turn the hub around.



Internal side assembly – “Inboard”

- 6 Fit the “Inboard” bearing (H) using the plastic assembly tool (F) with the intermediate plate, applying a force of up to Max 6T on the plate.
- 7 Remove the plastic assembly tool (F) with both hands and turn it around. Be careful not to contaminate the grease.
- 8 Place the seal (E) following the diagram. Fit the seal using the plastic assembly tool (F) and the intermediate plate both in an inverse position. Apply a force of up to Max 1T with a press on the plate.
- 9 Remove the plastic assembly tool (F) and verify that the O-ring (G) stays inserted completely and remain in the groove.
- 10 Mount the security ring (D) and verify that it has stayed correctly placed in the grooves and that it can rotate freely.
- 11 Secure the nut with the torque recommended by the manufacturer at the same time you rotate the hub.



Safety precaution

The wheel bearings are safety-related parts. Incorrect mounting or adjustment can result in damage, serious injury or death. These mounting instructions are general and based on the experience and judgment of the wheel bearing manufacturer. However, this information does not cover all circumstances and may not be complete.

When mounting or adjusting bearings, first read and understand the complete mounting instructions in the car manufacturer's shop manual or turn to a professional mechanic at an authorized garage. Failure to follow the car manufacturer's mounting instructions will void the bearing warranty and SKF can not held liable for any damage resulting therefrom.

Use only correct methods and proper tools in clean surroundings, when mounting. Do not open the bearing package until the bearing is to be used. Allow the rust preventive compound to remain in the bearing during mounting. The rust preventive layer is not a lubricant. Do not wash the bearing before use.

© SKF is a registered trademark of the SKF Group.

© SKF Group 2016

The contents of this publication are the copyright of the publisher and may not be reproduced (even extracts) unless prior written permission is granted. Every care has been taken to ensure the accuracy of the information contained in this publication but no liability can be accepted for any loss or damage whether direct, indirect or consequential arising out of the use of the information contained herein.

PUB 80/14 16487 EN · February 2016